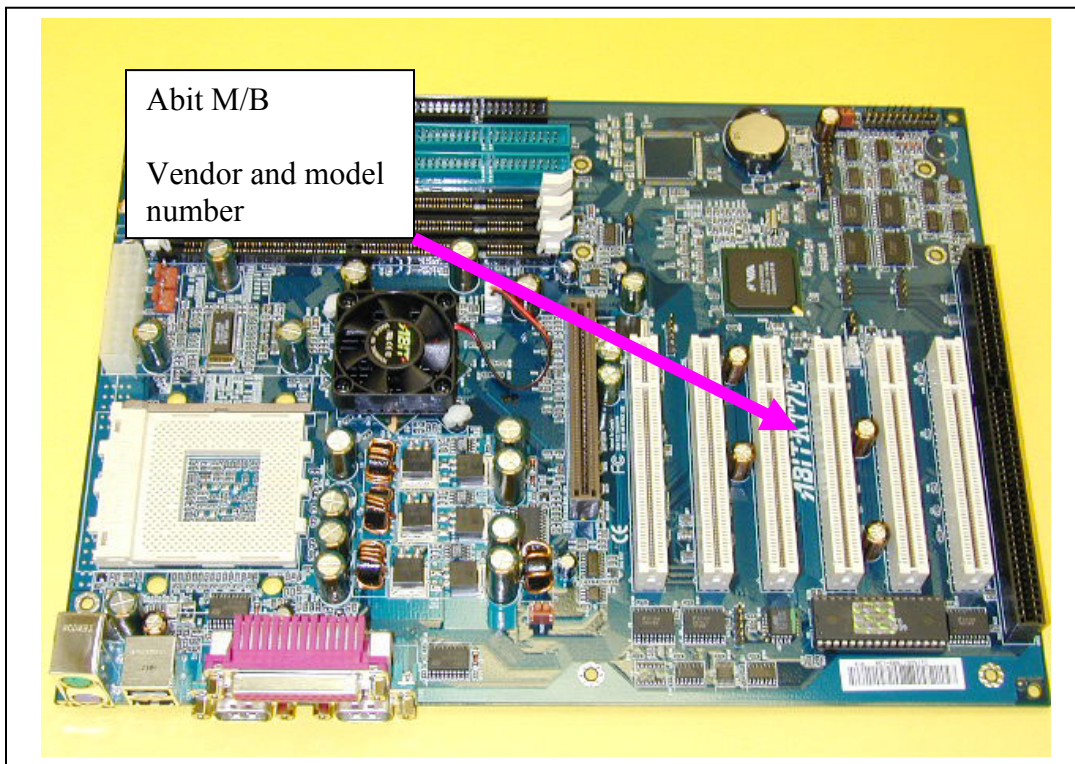


Downloading Drivers for Computers with Integrated Peripherals: Non-Brand Name Systems

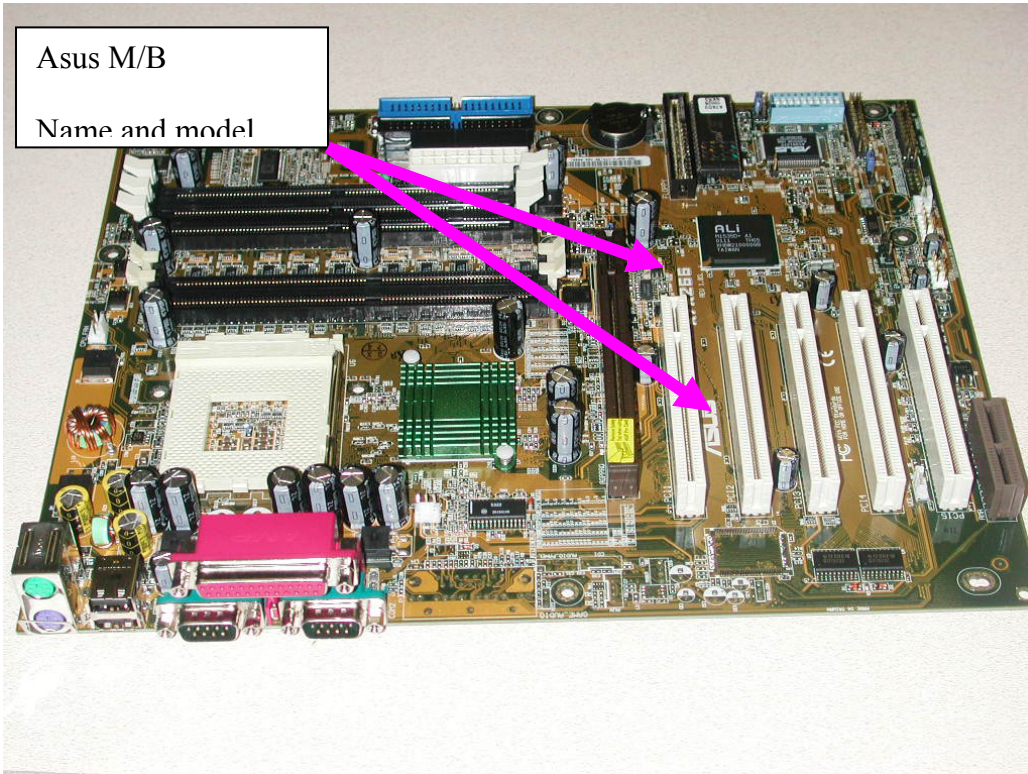
When people buy mom 'n pop machines from the local computer joint, they usually receive a driver disk that pertains to the devices on the motherboard. If the student does not have that disk, you're going to have to find the name and/or model number of the motherboard. At this point the process can become quite a bit more difficult and involved, because you need to know what to look for. Some motherboards clearly display the vendor and model numbers, and some don't. Here are some examples of what to look for:



You'll often find the label between the PCI expansion slots.

If you just find a model number, but not a name, you can put the model number into a search engine, and frequently come up with the hit for the manufacturer's site.

For example, go to a search engine and type in "A7V266". You'll find hits for Asus, which is the manufacturer of that model. Here are some more examples:

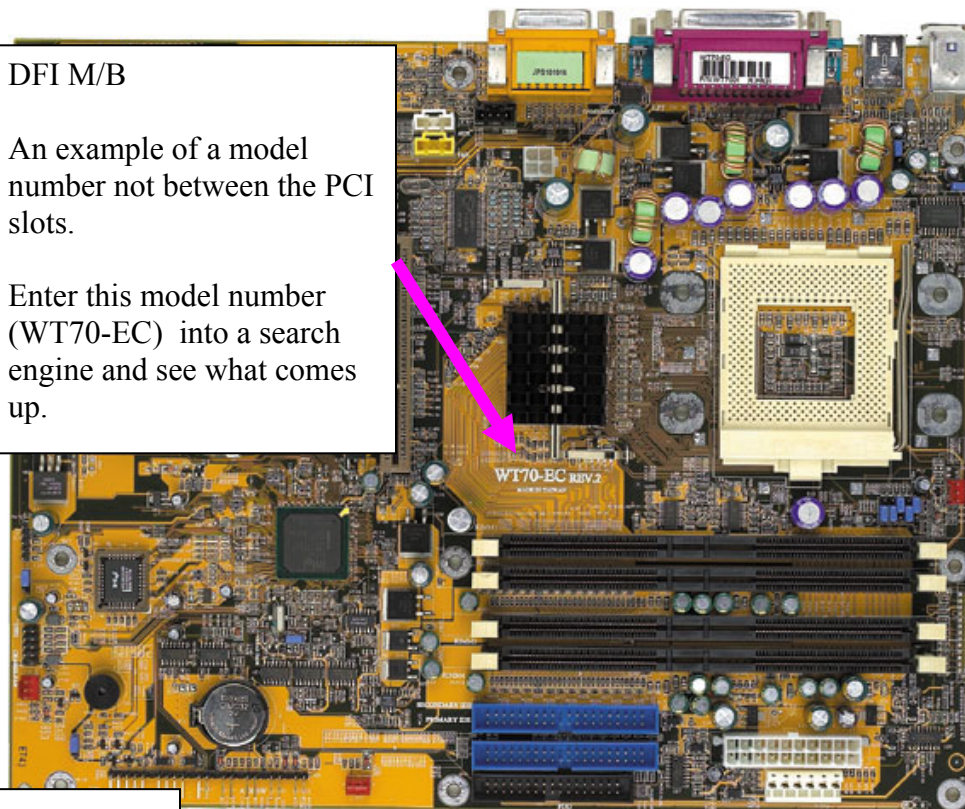


Asus M/B
Name and model

DFI M/B

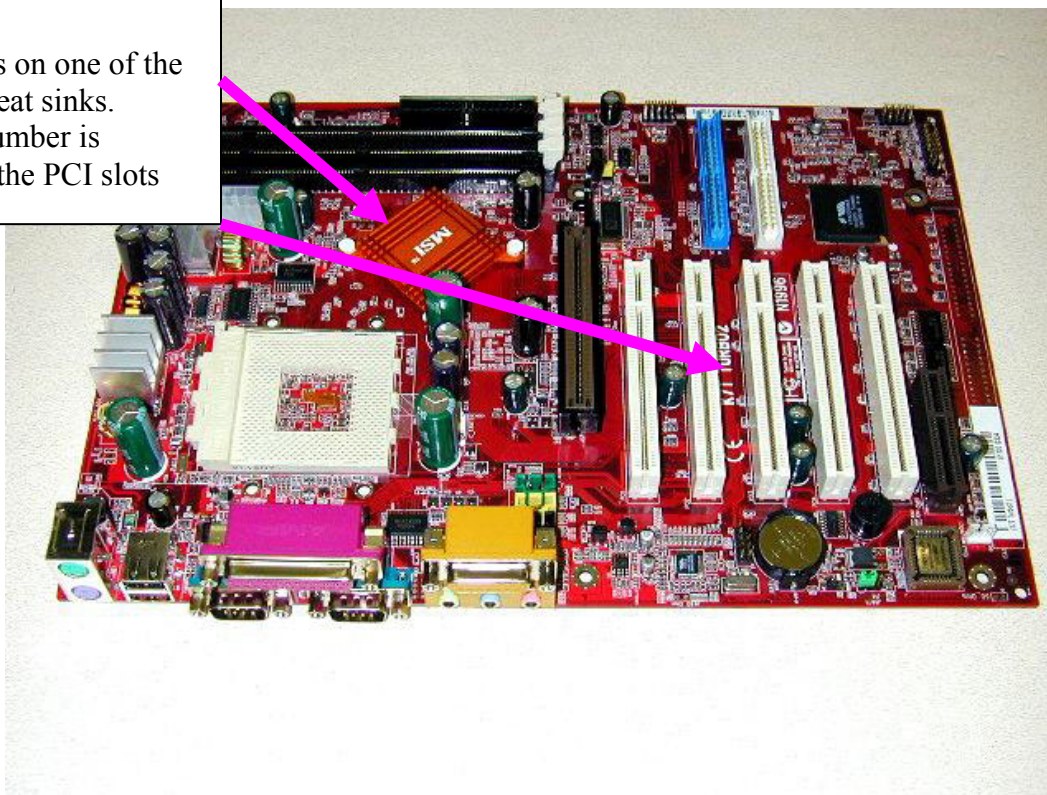
An example of a model number not between the PCI slots.

Enter this model number (WT70-EC) into a search engine and see what comes up.



MSI M/B

Vendor is on one of the chipset heat sinks. Model number is between the PCI slots



Once you've been able to determine the vendor and/or model number it's time to go to the internet and find the drivers in question. Remember: You do not necessarily need the vendor name, but you MUST determine the model number if you're to find the drivers. Here are the websites of common motherboard manufacturers:

<http://www.dfi.com/>

<http://www.abit.com.tw/>

<http://www.giga-byte.com/>

<http://www.asus.com/index.html>

<http://www.intel.com/intel/product/components.htm?iid=prodinfontav+pccomp&>

There are more motherboard manufacturers than are listed here, but these are the more common ones. For general info on motherboards, and where to find software for them, you may go to <http://www.motherboards.com>

Each site has a download and/or support link that allows you to search for drivers by model number.

Finally, you may go to www.windrivers.com, and enter the vendor name of the motherboard in question into its search engine. The site will then give you the link to the company's download pages.

<http://www.windrivers.com/company.htm>